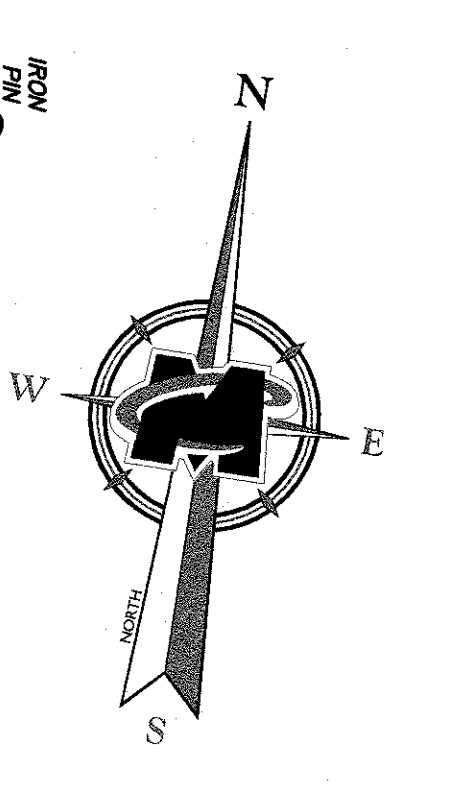
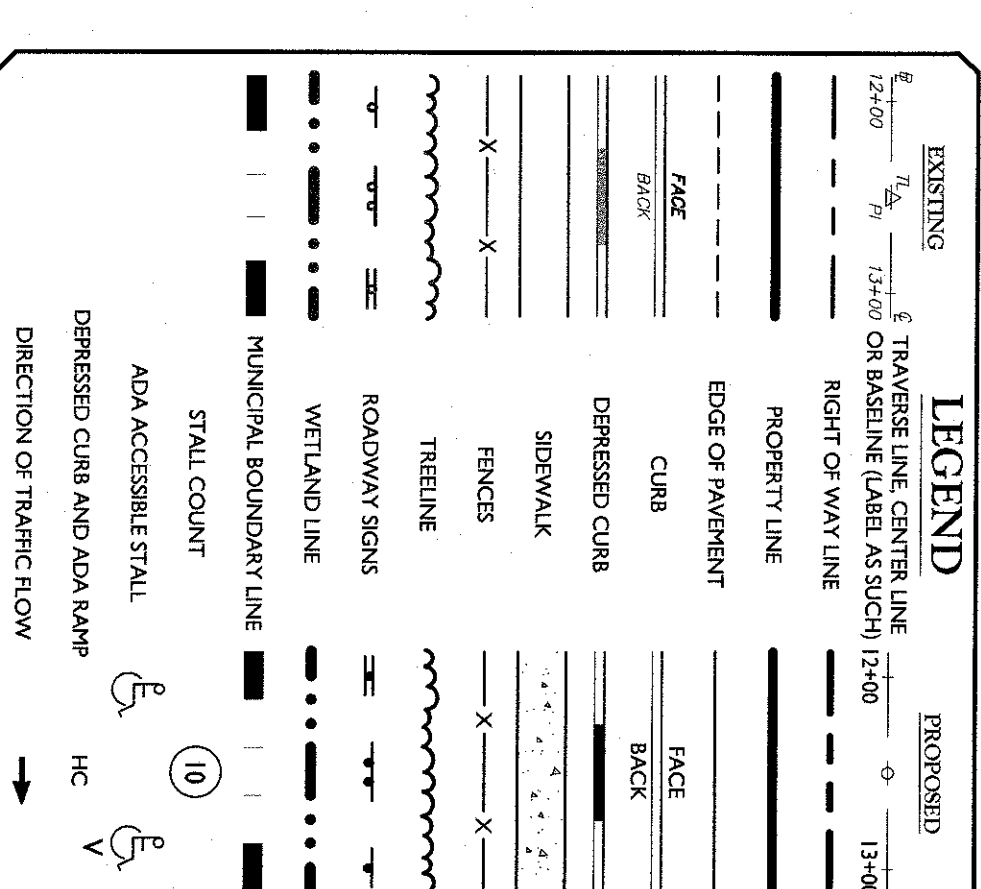


TOTAL SITE AREA: 31.10 ACRES
 NUMBER OF UNITS: 61 LOTS

PROPOSED GROSS DENSITY:
 31.10 ACRES / 61 LOTS = 0.51 ACRES/LOT
 OR: 61 LOTS / 31.10 ACRES = 1.96 UNITS/ACRE



<p>ROCCO CARACCIOLO REGISTERED PROFESSIONAL ENGINEER 1500 N. HUNTER DRIVE WASHINGTON, PA 15376 TEL: 724-839-1111 FAX: 724-839-1112</p>	<p>PRELIMINARY SUBDIVISION/SITE PLAN FOR NEUPRO IV</p> <p>GRANDVIEW SUBDIVISION LOT 9 BLOCK 8 STOCKERTOWN BOROUGH NORTHAMPTON COUNTY PA</p> <p>LEHIGH VALLEY OFFICE 911 Hickory Boulevard Allentown, PA 18109 Phone: 610-262-0001 Fax: 610-262-0002</p>	<p>REV: 1</p> <p>DATE: 10/20/2023</p> <p>DRAWN BY: MJC</p> <p>DESCRIPTION: CORRECTED</p>	<p>REV: 2</p> <p>DATE: 10/20/2023</p> <p>DRAWN BY: MJC</p> <p>DESCRIPTION: CORRECTED</p>
		<p>811 Call before you dig 211-2-2211 24/7 www.callbeforeyoudig.com</p>	<p>Customer Support through Client Satisfaction www.masercorp.com</p> <p>MASER CORPORATION</p> <p>Office Locations: NEW JERSEY PENNSYLVANIA VIRGINIA TEXAS NORTH CAROLINA COLORADO</p>